

Mixed Graphing 3

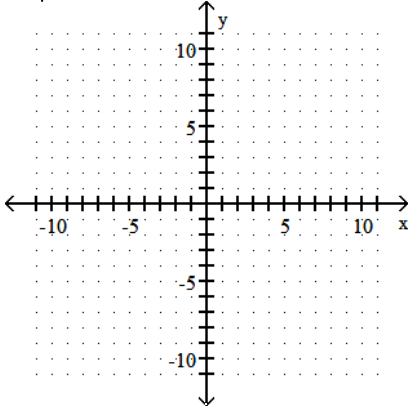
SHORT ANSWER. Write the word or phrase that best completes each statement or answers the question.

Find three ordered pair solutions by completing the table. Then use the ordered pairs to graph the equation.

1) $y = 4x + 5$

1) _____

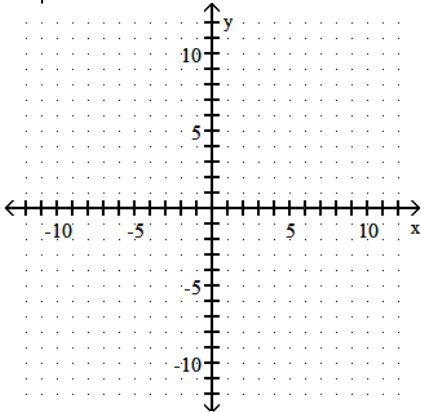
x	y
0	
1	
-1	



2) $9x + 8y = 0$

2) _____

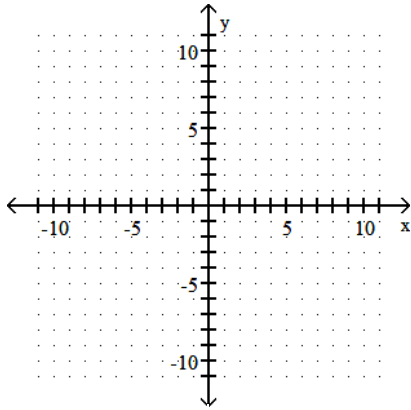
x	y
-8	
0	
8	



Draw the graph of the line that contains the specified point and has the specified slope, m.

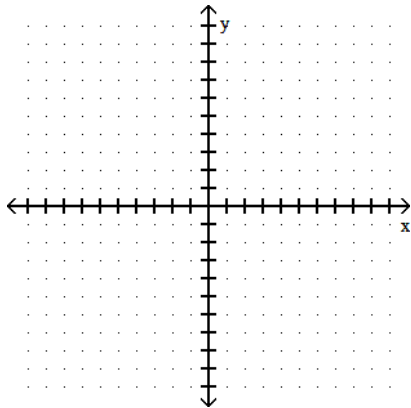
3) $(-4, 2)$, $m = 1$

3) _____



4) $(-4, 6)$, $m = -\frac{3}{4}$

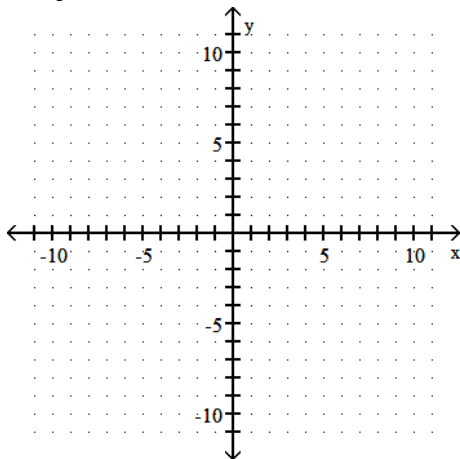
4) _____



Graph using the intercept method.

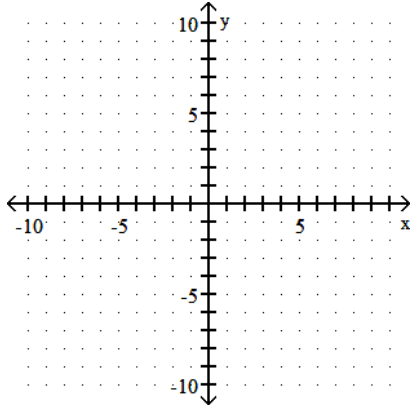
5) $x - 2y = -8$

5) _____



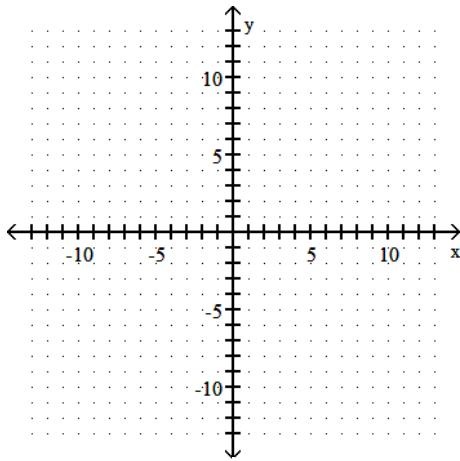
Determine the slope and the y-intercept. Then graph the equation.

6) $y = 2x - 4$



6) _____

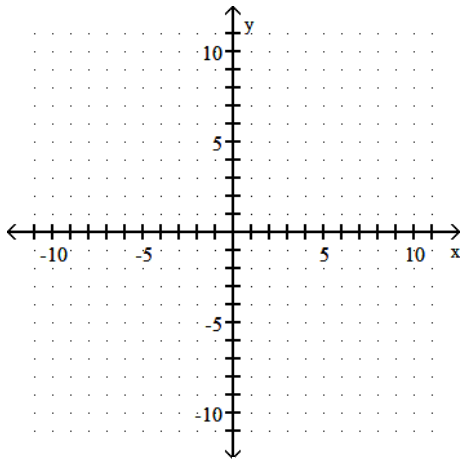
7) $y = -\frac{1}{2}x - 6$



7) _____

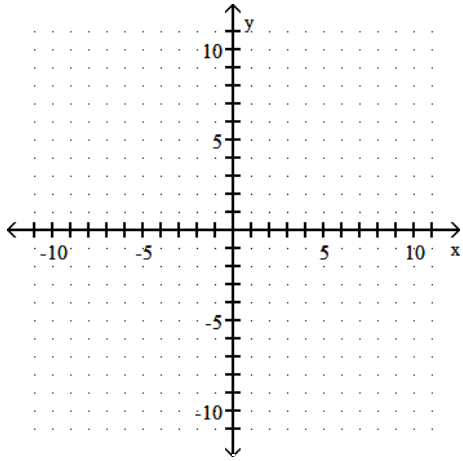
Graph using the intercept method.

8) $x = -1$



8) _____

9) $y = -7$



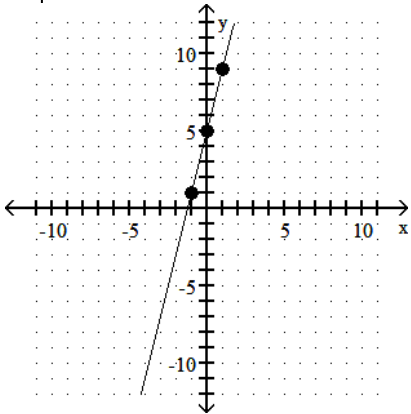
9) _____

Answer Key

Testname: MIXED LINEAR GRAPHING 3

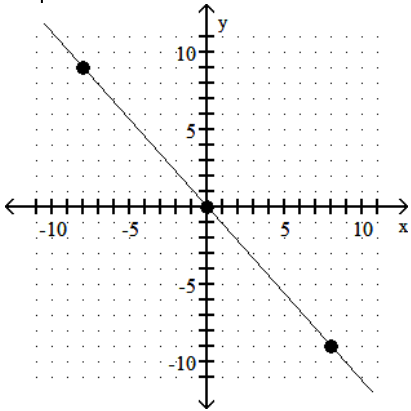
1)

x	y
0	5
1	9
-1	1

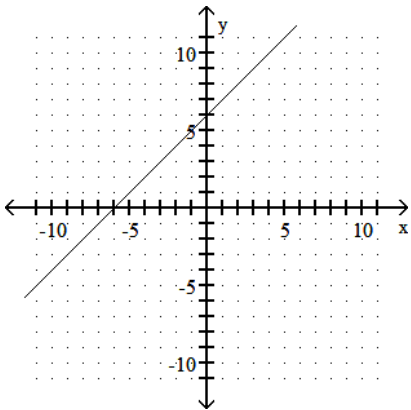


2)

x	y
-8	9
0	0
8	-9



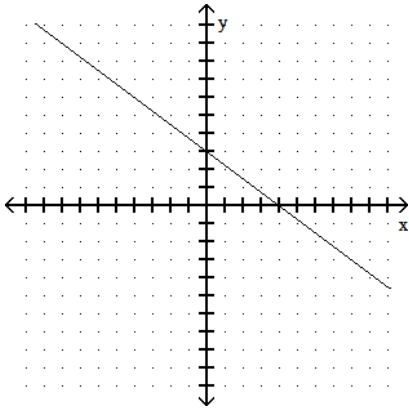
3)



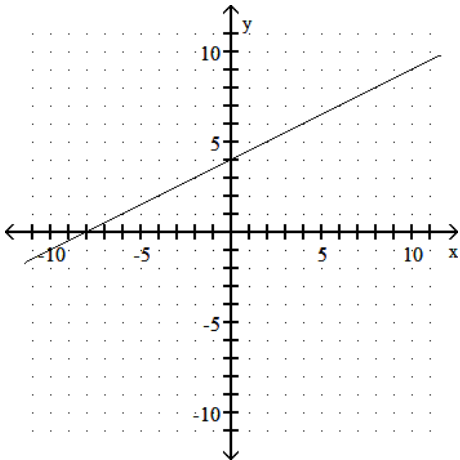
Answer Key

Testname: MIXED LINEAR GRAPHING 3

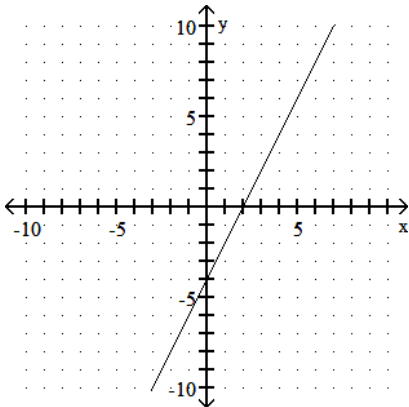
4)



5)



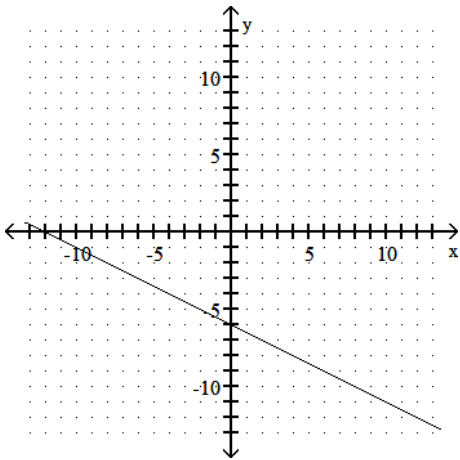
6) $m = 2$, y-intercept: $(0, -4)$



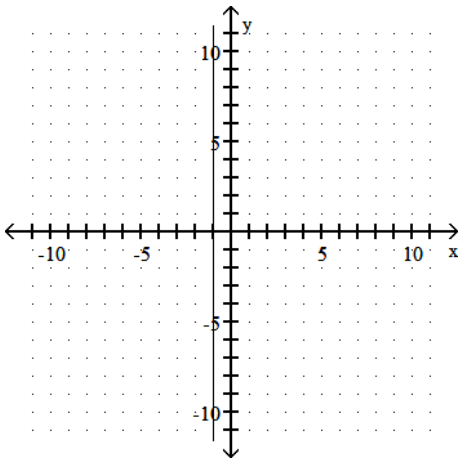
Answer Key

Testname: MIXED LINEAR GRAPHING 3

7) $m = -\frac{1}{2}$; y-intercept: (0, -6)



8)



9)

